



800 Europe Light Series Safes

Grades III-IV · Standard EN 1143-1



History

Ferrimax, is a leading Spanish company producing security products to the highest safety standards. With more than 30 years experience in the security sector and many blue chip customers, Banks, Jewellers, Retailers and service stations all look to Ferrimax for top quality products.

Quality

All Ferrimax's manufacturing processes conform to ISO 9001:2001.

Sustainable

The whole manufacturing cycle from the raw materials to the final packaging are geared towards the production of the environment.

Tested and certificated safes

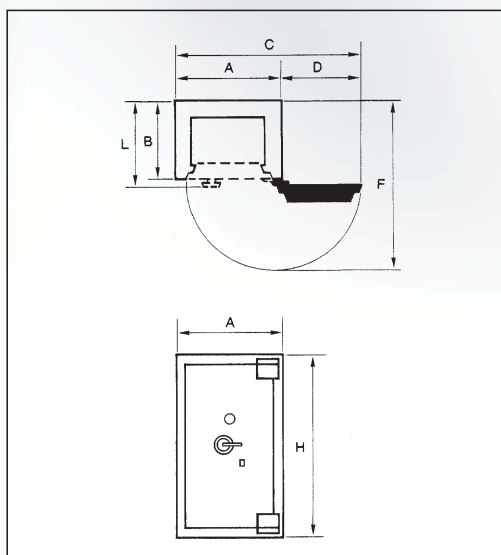
The 800 Europe Light Serie Safe have been designed and manufactured to the European testing standards for safes EN 1143-1, obtaining the grades III and IV. Our manufacturing process has been certified by Applus, guaranteeing that the delivered product has the same construction features than the tested one.

The Spanish Association for Standardization and Certification (AENOR) certifies that the quality management system adopted by Ferrimax, s.a. for the design, the manufacturing, the commercialisation, the after sales service and maintenance of safes and physical security products, complies with the requirements of the Standard EN ISO 9001:2000.



800 Europe Light Series Safes

Grades III-IV · Standard EN 1143-1



Construction features

Ferrimax has developed the 800 Europe Light Series Safes in order to respond to a market which needs safes grades III and IV, but with a lighter weight.

The architecture of many buildings, where offices are situated above car parks or basements, often makes it difficult to install a conventional safe.

To manufacture them, Ferrimax uses high resistant composites, obtaining a reduction of the weight but keeping intact their volume as well as their grade.

Locking devices

The closing mechanisms are distributed throughout the surface of the door and operate individually on powerful cylindrical bolts of 30 mm diameter. The number of the bolts varies according to the grade and model of the safe, going from 5 minimum to 8 maximum.

- GRADE III: one double bitted key lock class II VdS / B EN 1300.
- GRADE IV: one double bitted key lock class II VdS / B EN 1300 + a mechanical or electronic combination lock, class.

As an option, the 800 Europe Light Series Safes can be fitted with our CESAR time delay and time lock CESAR, class II VdS.

Re-locking device

In the event of an attack, various automatic re-locking systems condemn all the locking devices.

Finishing

All the internal and external surfaces of our safes are protected with antirust primers and two components polyurethane based paint.

Internal cupboard

Optionally, 800 Europe Light Series Safes can be equipped with a key-locked cupboard.

Modular safes

The 800 Europe Light Series Safes can be manufactured with modular panels (6 pieces) which enable the transport, delivery and location in places where it would be impossible to access with conventional safes.

Dimensions

Model	External dimensions (mm)			Internal dimensions (mm)			Occupation sizes (mm)				Volume (litres)	Shelves	Nº horiz. bolts	Nº vertical bolts	Weight (kg)	
	H-height	A-width	B-depth	height	width	depth	C	D	F	L					Grade III	Grade IV
CF-815L	1020	595	570	940	515	380	1105	510	1125	635	184	3	4	1	450	500
CF-817L	1145	645	580	1065	565	390	1205	560	1185	645	235	3	4	1	531	590
CF-820L	1270	695	590	1190	615	400	1305	610	1245	655	293	3	4	1	576	640
CF-830L	1440	760	570	1360	680	380	1435	675	1290	635	351	3	6	1	711	790
CF-850L	1620	800	640	1540	720	450	1535	735	1400	705	498	3	6	1	873	970

Grade III: one key lock class II VdS / B EN 1300. Optionally, can be equipped with one mechanical or electronic combination lock class II VdS / B EN 1300.

Grade IV: one key lock class II VdS / B EN 1300 + one mechanical or electronic combination lock class II VdS / B EN 1300.

Projection handle: 70 mm.

Distributed by



www.ferrimax.com

MANUFACTURING PLANT IN BARCELONA

Tel +34 93 460 16 96

comercial@ferrimax.es · export@ferrimax.com

BRANCH OFFICE IN MADRID

Tel +34 91 796 08 96 · madrid@ferrimax.es